



Thermia Extender



Extender

Buffer tank for combination with alternative heat sources.

Thermia Extender helps you combine a heat pump with alternative heat sources, such as solar panels, so that you can further extend the annual efficiency of the heat pump.

Thermia Extender pre-heats the water before it reaches the heat pump, which results in higher volumes of available hot water. The large buffer capacity makes it possible to adapt operation to utilize the lowest electricity prices and thus cut heating costs.

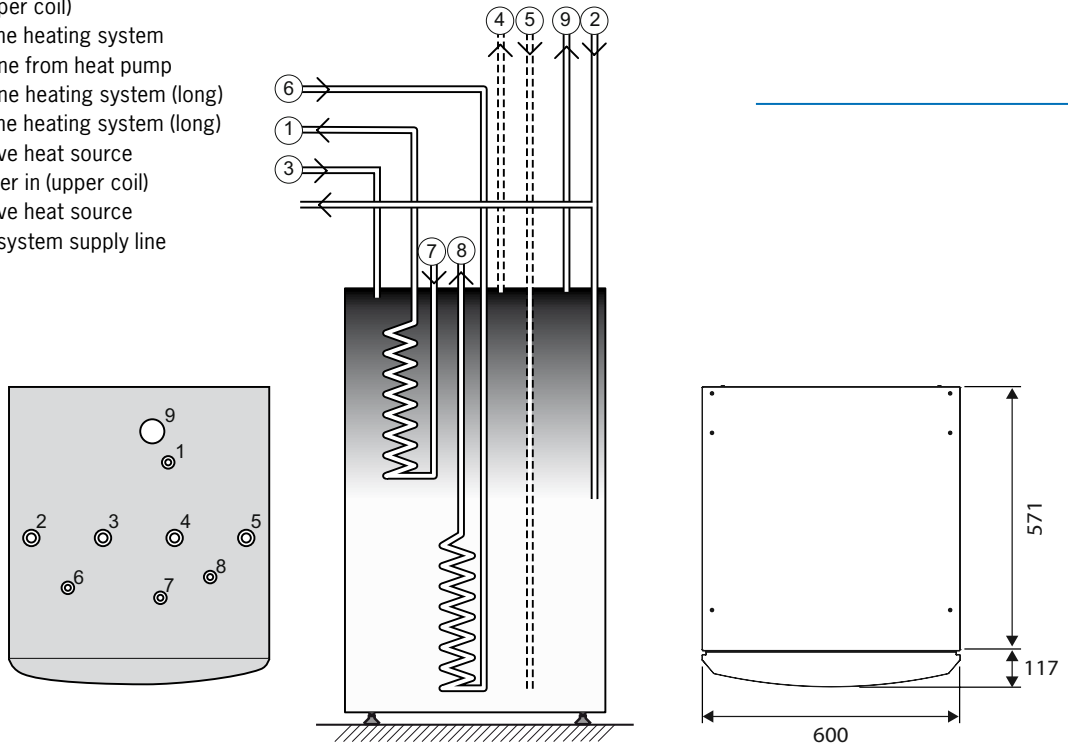
All domestic heat pumps from Thermia feature a control program that supports the buffer function. Thermia Extender also enables two separate heating systems, such as underfloor heating and normal radiators, to be combined.



Technical data Extender

Image descriptions with pipe dimensions

- 1 Ø 22 mm Cold water to heat pump (from upper coil)
- 2 DN25 Return line heating system
- 3 DN25 Supply line from heat pump
- 4 DN25 Supply line heating system (long)
- 5 DN25 Return line heating system (long)
- 6 Ø 22 mm Alternative heat source
- 7 Ø 22 mm Cold water in (upper coil)
- 8 Ø 22 mm Alternative heat source
- 9 DN50 Heating system supply line



Extender	
Volume	386 litres
Width	600 mm
Depth	571 mm (+117 mm)
Height	1794 +/- 10 mm
Weight	170 kg