



Yas Island Yacht Club, Abu Dhabi

Underfloor Cooling for high profile International Yacht Club

Thermo-Floor UK's overseas work began with this high profile contract for an under floor cooling system for the Beautiful Yas Island Marina Yacht Club, Abu Dhabi, set only a stones throw from The Yas Island F1 Motor Circuit. This iconic building was architecturally designed and set in landscaped grounds and now enjoys world-wide recognition.

Thermo-Floor's Involvement

This prestigious client demanded only the best design and product innovation for this project, and to meet the brief of an underfloor cooling system for the main lobby and entrance foyer.

These bespoke manifolds were specifically designed and manufactured to fulfil this particular projects brief. Each manifold is fitted with integral plate heat exchangers which increase the temperature of the chilled water provided from the chiller plant. With over 6000m of our unique 20 x 3.4mm underfloor cooling tube, serving an area of 605m²

Yas Island Yacht Club, Abu Dhabi

Designed by Omiros One Architecture for Aldar Properties, The Yas Island Yacht Club's is conceived as an iconic landmark on the brand

Facts and Figures

Building

- Floor area : 605 m²
- Insulation: 0.036 W/m.k
- Floor insulation : 605 m²

Source of energy

- Chiller Unit

Climate system

- Cooling
- Active cooling down to 17°C flow

WTH-system

- Bespoke RU-WW-manifolds specific for underfloor cooling
- Averaging sensor control for optimum climate control to each zone
- 6km underfloor cooling pipe

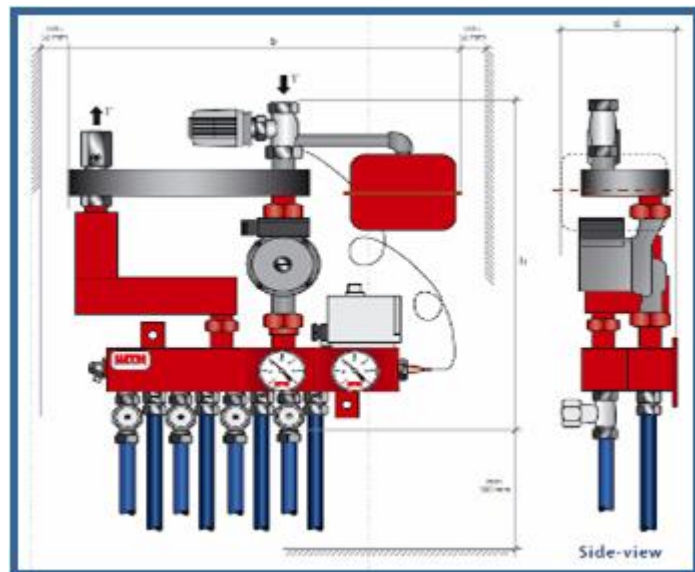
new Yas Marina and F1 Track in Abu Dhabi. Thermo-Floor were contracted by Cerbarco Abu Dhabi to provide underfloor cooling to the grand foyer of this stunning building.

The Thermo-Floor underfloor cooling system was installed and uses the Yacht Club chiller plant as the cooling source. The RUW-WW manifolds were installed with plate heat exchangers to ensure the water used from the chiller stayed separate from the water passes through the underfloor cooling pipes to eradicate contamination and to ensure the water does not freeze.

A Thermo-Floor project manager oversaw each stage of the project including the installation in Abu Dhabi.

RU-WW Manifold

The RU-WW manifold is used with a pre regulated water supply for both heating and cooling. This low temperature manifold is factory pre-assembled, pressure tested to 700kPa and epoxy coated. The manifold ranges in size between 2-20 loops. The pre-assembled manifold comes complete with: welded support brackets, rubber mounting kit, three ball valves on each flow connection, each loop fitted with two preset TS-valves for heating and cooling, one isolating ball valve with flow meter and connections for the heating tube, high limit thermostat, condensation sensor and 24V thermal actuators.



Dimension	H	W	D	Dimension	H	W	D
4	660	570	260	13	660	1110	260
5	660	630	260	14	660	1170	260
6	660	690	260	15	660	1230	260
7	660	750	260	16	700	1350	260
8	660	810	260	17	700	1410	320
9	660	870	260	18	700	1470	320
10	660	930	260	19	700	1530	320
11	660	990	260	20	700	1590	320
12	660	1050	260				